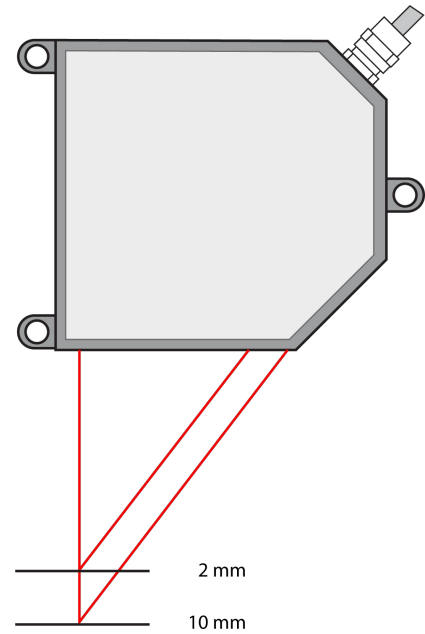


DISTANCE SENSORS

- Micro-Vu Measuring Systems are equipped and ready to incorporate laser triangulation sensors.
- Available specular and diffuse modes configurations.
- Collects data as it moves between two programmed XYZ locations, ideal for surfaces' flatness and Z distance measurements.
- The LSM4-10 and LSM4-2 are supported by the Vertex 261, 341, 342, Excel 511, 512, 701, 702, 704 models.



Technical Specifications

	LSM4-10	LSM4-2
Modes	Diffuse, Specular	Diffuse, Specular
Range [mm]	10	2
Working Distance [mm]	35	25
Spot Size [µm]	32 x 45	Ø 23
Resolution* [µm]	0.15	0.03

*Resolution depends on the material surface.
Spot Size at mid of measuring range.

LSM4-10:
Offers a comfortable working distance and measurement range, which makes this sensor suitable for measurements of a variety of parts.

LSM4-2:
Capable of doing higher accuracy measurements.
Has a small diametrical spot size which benefits small feature measurements.